



**8W
Laser
Power**

**RGB
Laser
Source**

ILDA

**Integrated
FB-4
Hardware**

**42K
Scanning
System**

Delta 6 IP65 Series

Specially designed for use as a projection laser for open-air events. It is equipped with an RGB multicolor laser source with 8W output. Fast scanning system for clear projection. Applications: laser show, advertising, architectural projections, mapping, logos, lettering. Delta 8 IP65 is specially made with solid housing with a high protection rate. Control by FB-4 hardware is available for integration.

FEATURES

- IP65 solid enclosure
- Easy for installation
- Precision rotary mounting bracket
- RGB Multicolor Projector
- Balanced White Color
- Integrated FB-4 Hardware (on request)
- Invert X and Y position
- Powercon IN
- Neutrik Connectors
- Silent fans (temperature controlled)

APPLICATIONS

- Laser show
- Beam show
- Laser lighting and effects
- Architecture projection

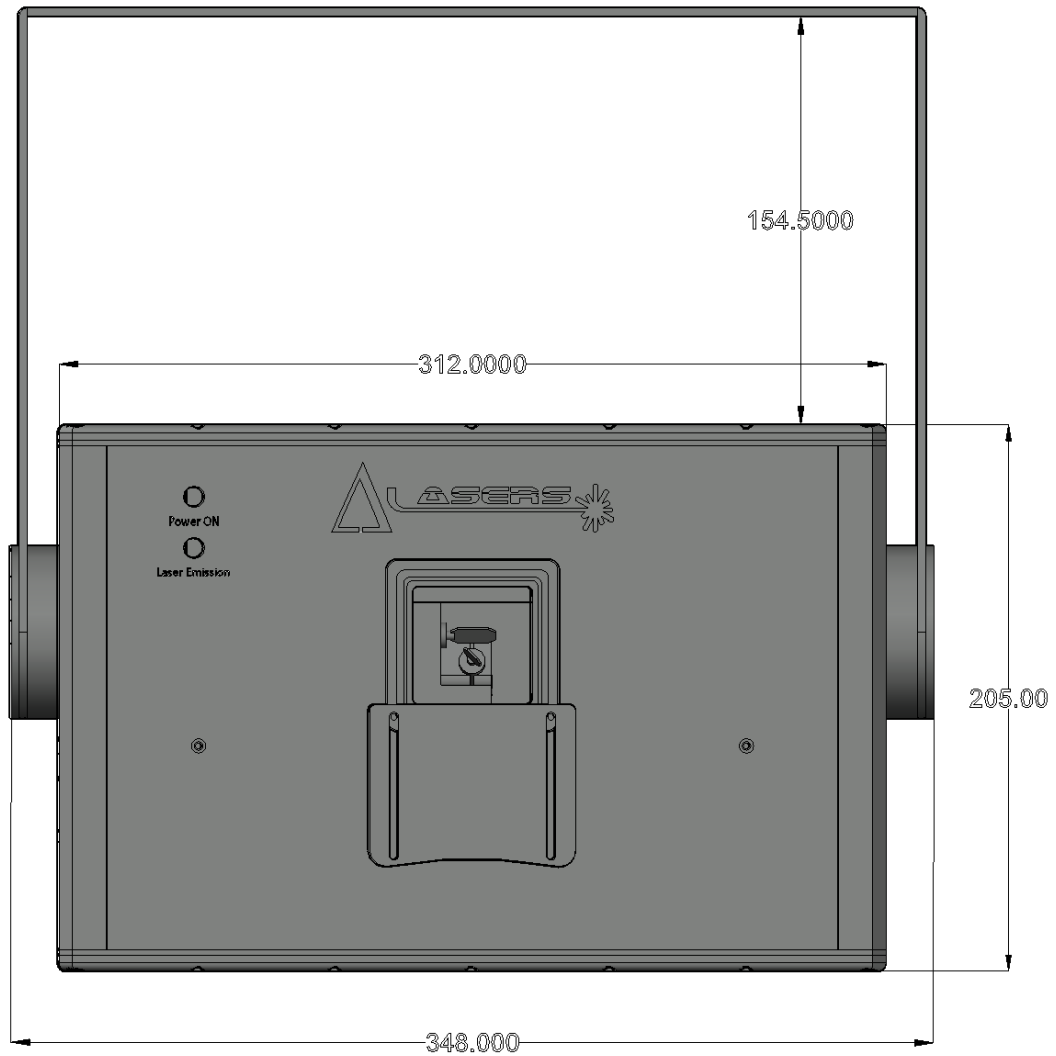
Technical specifications

Optical laser power (mW)	8000
Wavelength (nm)	638 / 530 / 445 / 462
Laser source RGB power (mW)	R:2000mW / G:3000mW / B:3000mW
Beam divergence (mrad)	1,1
Control signal	ILDA IN/OUT
Integrated hardware	Pangolin FB-4 (on request)
Scanning system	DT-50 / 42kpps @ 8° ILDA
Scanner function	Manual Invert X, Y
Optical scanning angle	60° Max
Laser cooling	TEC + Silent Fans
Safety function	Remote control IN
Interlock	KeyLock, Aperture mask
Technology	Diode
Laser class	IV
Modulation	Analog (100Khz)
Protection class	IP65
Accessories	Stainless steel mount
Operating temperature	0°C to +40°C
Power connectors	Powercon IN
Consumption	550W/220AC
Power supply	110 ~ 240 VAC 50/60 Hz
Weight	19,5 kg





Delta 6 IP65 Physical Size





Delta 6 IP65 Physical Size

